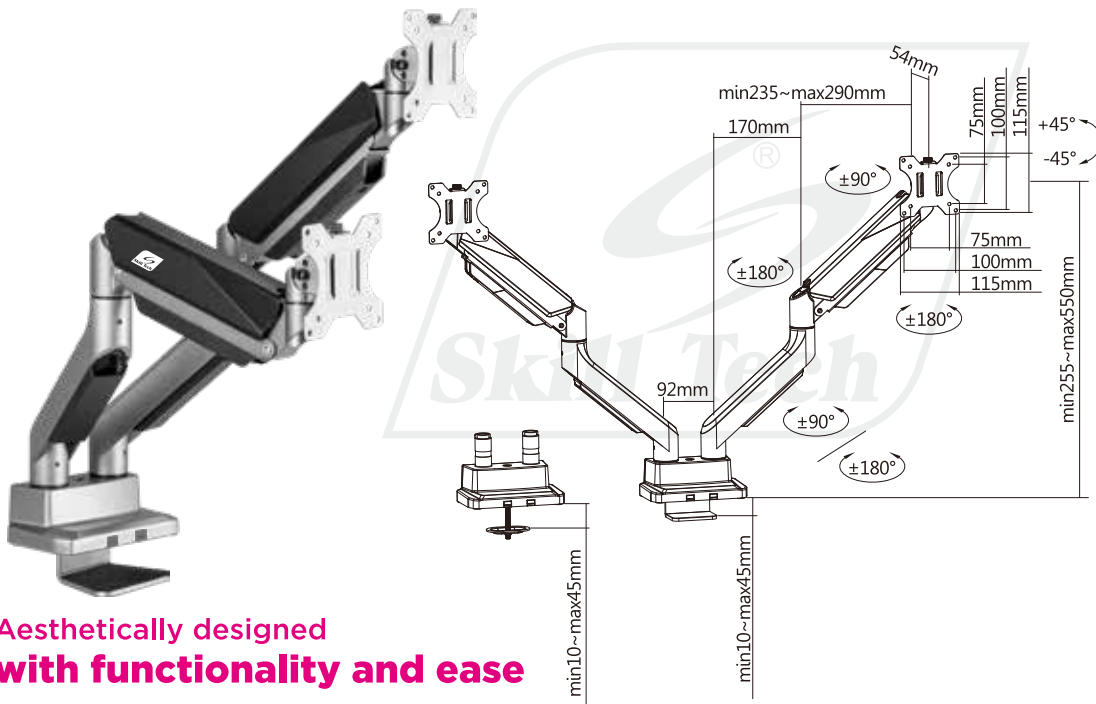


SH52 C024

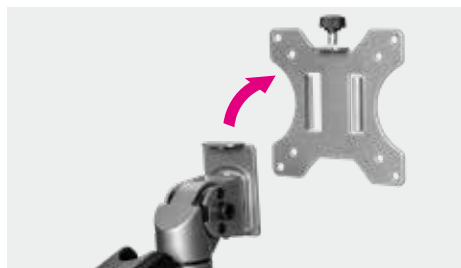
Heavy-Duty Monitor Arm

Fits most 17"-35" flat & curved Monitors



- Screen Size **17"-35"**
- VESA Compatible **75x75 100x100**
- RATED** Weight Capacity **1-15kg/2.2-33lbs**
- Tilt Range **+45° ~ -45°**
- Swivel Range **+90° ~ -90°**
- Screen Rotation **+180° ~ -180°**
- Detachable VESA Plate
- Cable Management
- Curved Monitor Clamp & Grommet Installation

Aesthetically designed with functionality and ease



Quick-Release VESA Plate
mount or remove the monitor in mere seconds.



Cable Management
keeps everything organized.



Rear Tool Holder
easy access for any future adjustment.